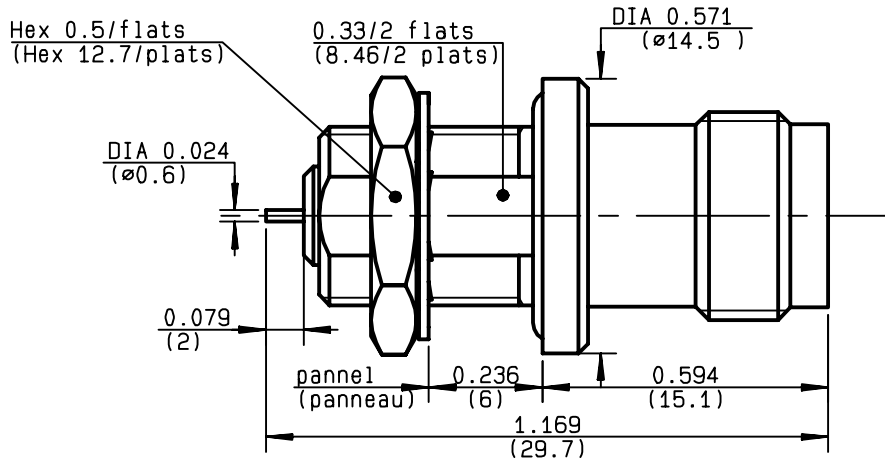
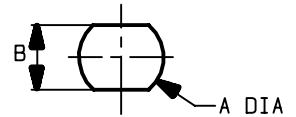


**BULKHEAD JACK RECEPTACLE FRONT MOUNTING  
COMBINATION SEAL WITH CYLIND. CONTACT**

**R143.603.200**  
**SERIES TNC**



PERCAGE PANNEAU  
MOUNTING HOLE



	MM		INCH	
	maxi	mini	maxi	mini
A	9.75	9.65	0.384	0.38
B	8.65	8.55	0.341	0.337

NOMINAL IMPEDANCE	<b>50</b>	$\Omega$
FREQUENCY RANGE	<b>0-11</b>	GHz
TEMPERATURE RATING	<b>-65/+165</b>	°C
V.S.W.R	<b>1.7*</b> +	<b>0</b> x F(GHz)Maxi
RF INSERTION LOSS	<b>0.025</b>	$\sqrt{F}$ (GHz) dB Maxi
VOLTAGE RATING	<b>500</b>	Veff Maxi
DIELECTRIC WITHSTANDING VOLTAGE	<b>1000</b>	Veff Mini
INSULATION RESISTANCE	<b>5000</b>	M $\Omega$ Mini
HERMETIC SEAL	<b>NA</b>	Atm.cm <sup>3</sup> /s
LEAKAGE (pressurized only)	<b>IP67</b>	
MECHANICAL DURABILITY	<b>500</b>	Cycles
WEIGHT	<b>11.13</b>	gr
SPECIFICATION		

CABLES :

OTHERS CHARACTERISTICS

**ROS 1.4 a 10 GHz**

CABLE RETENTION	<b>NA</b>	N Mini
CENTER CONTACT RETENTION		
Axial force - mating end	<b>18</b>	N Mini
Axial force - opposite end	<b>18</b>	N Mini
Torque	<b>2.8</b>	cm.N Mini
RECOMMENDED TORQUES		
Mating	<b>NA</b>	cm.N
Panel nut	<b>250</b>	cm.N
Clamp nut	<b>NA</b>	cm.N

CONNECTOR PARTS	MATERIALS	FINISH	(all values are given in micrometers)
BODY	BRASS	NICKEL 2	
OUTER CONTACT			
CENTER CONTACT	BERYLLIUM COPPER	GOLD 0.5 OVER NICKEL 2	
INSULATOR	PTFE	-	
GASKET	SILICONE RUBBER	-	
OTHERS PIECES	BRASS	NICKEL 2	

ANNEQUIN

ISSUE <b>9845A00</b>	CREATION DATE <b>31/10/1996</b>	FILE PART-NUMBER <b>96-0011-038</b>
-------------------------	------------------------------------	--



**RADIALL**®

The information given here is subject to change without notice.  
Design changes may be in order to improve the product .

*Connect to the future*